

# Air & Steam Spray Flat Spray Nozzles

VZ

Flat Spray



[Note] Water is sprayed here to better show the spray pattern.



**[Features]**

- Produces a flat spray pattern of air or steam.
- Effective spray angle does not hold long, as air and steam disperse very quickly.

**[Standard Pressure]**

0.3 MPa

**[Applications]**

Compressed air: Cleaning, dust suppression, drying, air curtain

Steam: Humidification, temperature control, moisture control

**VZ series**

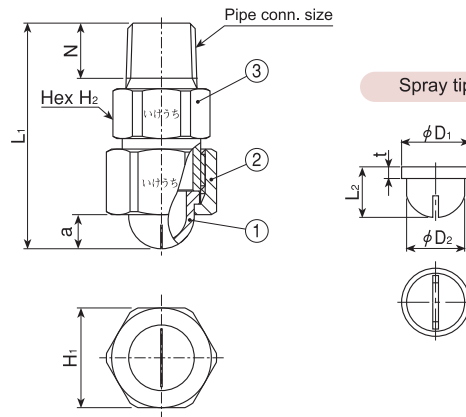
VZ series (three-piece structure)	
Structure	<ul style="list-style-type: none"> <li>● Made of metal, three-piece structure.</li> <li>● Comprises three parts: Spray tip, cap, and adaptor.</li> <li>● Worn-out spray tip can be replaced separately.</li> <li>● Cap and adaptor are exchangeable with those of three-piece structure standard flat spray nozzles for liquids.</li> </ul>
Material	<ul style="list-style-type: none"> <li>● S303 or B (brass)</li> <li>● Optional material: S316</li> </ul>

**[Complete nozzle]**

Pipe conn. size	Dimensions (mm)					Mass (g)	
	L <sub>1</sub>	H <sub>1</sub>	H <sub>2</sub>	N	a	S303	B
1/4M	43	19	17	10.5	6.5	44	47
3/8M	48.5	23	21	11	9.5	73	78

**[Spray tip]**

Pipe conn. size of complete nozzle	Dimensions (mm)				Mass (g)	
	L <sub>2</sub>	φD <sub>1</sub>	φD <sub>2</sub>	t	S303	B
1/4M	11	14.5	12.5	2.5	4.7	5.0
3/8M	14	18	16	2.5	7.7	8.1



① Spray tip ② Cap ③ Adaptor

[Note] Appearance and dimensions may differ slightly depending on materials and nozzle codes.

Spray Angle Code	Air Capacity Code	Pipe Conn. Size		Air Capacity (ℓ/min, Normal)						Steam Capacity (kg/hr)						Free Pass. Dia. (mm)
		1/4M	3/8M	0.05 MPa	0.1 MPa	0.2 MPa	0.3 MPa	0.5 MPa	0.7 MPa	0.05 MPa	0.1 MPa	0.2 MPa	0.3 MPa	0.5 MPa	0.7 MPa	
90	150	○		55.7	77.6	116	154	230	307	2.62	3.56	5.27	6.97	10.3	13.7	0.2
	200	○		73.1	102	152	202	302	402	3.44	4.67	6.92	9.14	13.6	17.9	0.3
	250	○		90.5	126	188	250	374	498	4.26	5.78	8.57	11.3	16.8	22.2	0.4
	300	○		108	150	224	298	446	594	5.08	6.90	10.2	13.5	20.0	26.5	0.5
	350	○		125	175	261	346	518	690	5.90	8.00	11.9	15.7	23.2	30.7	0.6
	400	○		143	199	297	394	590	786	6.72	9.12	13.5	17.9	26.5	35.0	0.7
	450	○		160	223	333	443	662	882	7.54	10.2	15.2	20.0	29.7	39.3	0.8
	500	○		177	247	369	491	734	977	8.36	11.3	16.8	22.2	32.9	43.5	0.9
	550		○	199	278	414	551	823	1,096	9.38	12.7	18.8	24.9	36.9	48.8	0.6
	600		○	219	305	455	605	905	1,205	10.3	14.0	20.7	27.4	40.6	53.7	0.7
	650		○	235	328	489	650	972	1,295	11.1	15.0	22.3	29.4	43.6	57.7	0.8
	700		○	253	353	526	700	1,047	1,394	11.9	16.2	24.0	31.7	46.9	62.1	0.8
	750		○	272	380	566	753	1,126	1,500	12.8	17.4	25.8	34.1	50.5	66.8	0.9
	900		○	326	454	677	901	1,347	1,794	15.3	20.8	30.8	40.7	60.4	79.9	1.1
1130		○	406	566	844	1,122	1,678	2,235	19.1	25.9	38.4	50.8	75.2	99.5	1.4	

[Note] The above air capacity and steam capacity are for reference only and are not guaranteed.

**How to order**

Please inquire or order for a specific nozzle using this coding system.

① Complete nozzle

<Example>...1/4MVZ150S303

1/4M	VZ	150	S303
Pipe Conn. Size	Air Capacity Code		Material
1/4M	150		S303
3/8M	∩		B
	1130		

② Spray tip only

<Example>...1/4VZ150S303

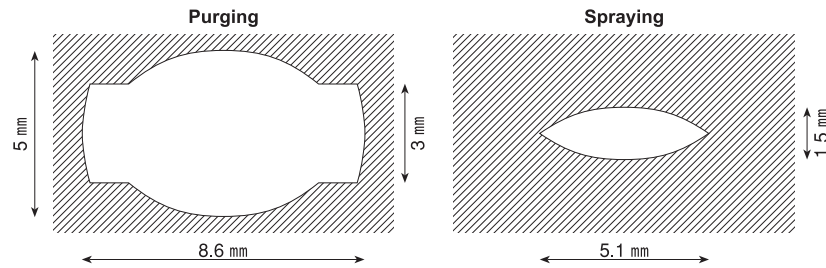
1/4	VZ	150	S303
Pipe Conn. Size	Air Capacity Code		Material
1/4	150		S303
3/8	∩		B
	1130		

# Effective Use of Self-cleaning Flat Spray Nozzles

## Precaution for MOMOJet® Self-cleaning Nozzles

When purging, the spray tip opens wide and the spray capacity increases. This must be taken into consideration when selecting a pump.

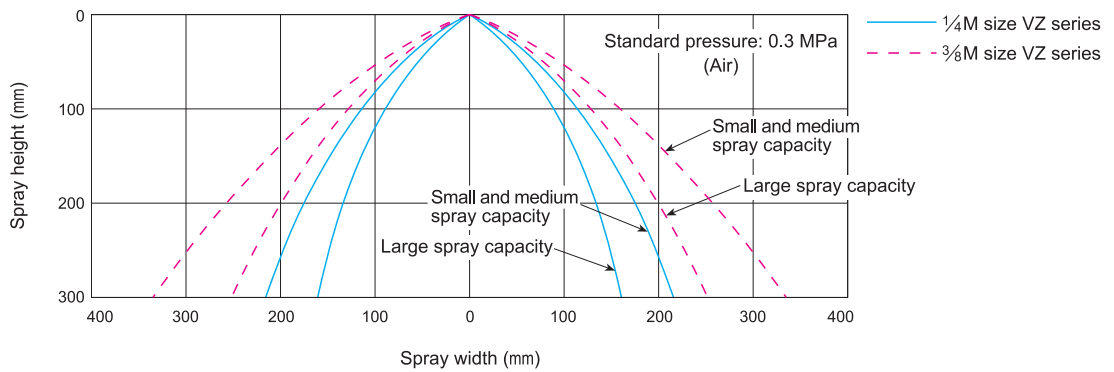
■ Nozzle: 1/2MOMO8060S303



# Effective Use of Air & Steam Spray Nozzles

## VZ series Air & Steam Flat Spray Nozzles / Spray Height and Spray Width

The spray coverage at various spray heights is shown as follows.



The wind velocity at various spray heights is shown as follows.

