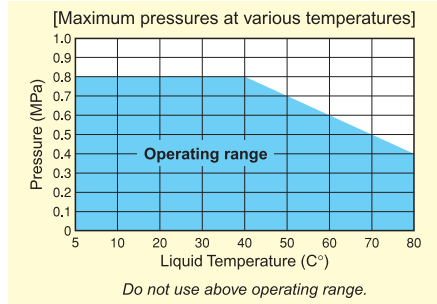
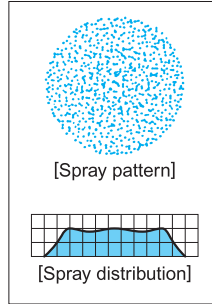


Quick-detachable Standard Full Cone Spray Nozzles

INJJX

Patented

Full Cone



[Features]

- Full cone spray nozzle with a removable whirler.
- Made in highly chemical and heat resistant PP (nozzle tip) and PPS (adaptor).
- Quick installation and removal by just turning the nozzle 60° by hand.
- Nozzle bodies are color-coded by spray capacity for easy identification.

[Standard Pressure]

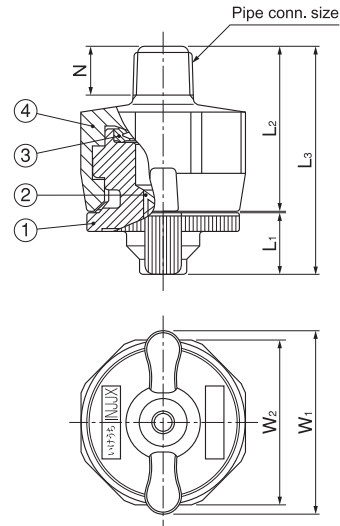
0.2 MPa

[Applications]

- Cleaning • Etching
- Stripping • Chemical treatment
- For periodic maintenance or for the applications where precise spray alignment is required

INJJX series

INJJX series	
Structure	<ul style="list-style-type: none"> • Two-piece structure comprising nozzle and adaptor. • Easy installation and removal by just turning the nozzle 60°.
Material	<ul style="list-style-type: none"> • Nozzle: PP • Adaptor: PPS • Packing: FEPM



Pipe conn. size	Dimensions (mm)						Mass (g)
	L ₁	L ₂	L ₃	W ₁	W ₂	N	
1/8M	10	27	37	30	27	8	12
1/4M	10	30	40	30	27	11.5	13
3/8M	10	30	40	30	27	12	14

[Note]
• Appearance and dimensions may differ slightly depending on materials and nozzle codes.

• **INJJX series nozzles are not compatible with the discontinued ISJJX series.**

①Body ②Whirler ③Packing ④Adaptor

Spray Capacity Code	Pipe Conn. Size			Spray Angle (°)			Spray Capacity (ℓ/min)							Mean Drop. Dia. (μm)	Free Pass. Dia. (mm)	Color of Nozzle Body	
	1/8M	1/4M	3/8M	0.05 MPa	0.2 MPa	0.5 MPa	0.03 MPa	0.05 MPa	0.1 MPa	0.15 MPa	0.2 MPa	0.3 MPa	0.5 MPa				0.7 MPa
010	○	○	○	60	65	55	—	0.53	0.73	0.88	1.00	1.18	1.45	1.67	}	0.8	Green
015	○	○	○	60	65	55	—	0.79	1.09	1.32	1.50	1.77	2.18	2.50		1.0	Yellow
020	○	○	○	60	65	55	—	1.06	1.46	1.75	2.00	2.36	2.91	3.34		1.5	Grey
025	○	○	○	60	65	55	—	1.32	1.82	2.20	2.50	2.95	3.62	4.17		1.5	Orange
030	○	○	○	60	65	55	—	1.59	2.18	2.63	3.00	3.54	4.36	5.00		1.5	Blue
040	○	○	○	60	65	55	—	2.12	2.91	3.51	4.00	4.72	5.81	6.67		2.0	Purple
050	○	○	○	65	70	60	—	2.65	3.64	4.38	5.00	5.90	7.27	8.34	2.0	Light Green	
060	○	○	○	70	75	65	2.51	3.18	4.37	5.26	6.00	7.08	8.72	10.0	520	2.0	Pink

How to order Please inquire or order for a specific nozzle using this coding system.

① Complete unit

<Example> ...1/8M(PT)INJJX040PP(FEPM)+PPS

1/8M (PT) INJJX 040 PP (FEPM) + PPS

Pipe Conn. Size	Thread type	Spray Capacity Code
1/8M	(PT)	010
1/4M	(NPT)	5
3/8M		060

② Nozzle only

<Example> ... INJJX040PP(FEPM)

INJJX 040 PP (FEPM)

Spray Capacity Code
010
5
060

ALSO AVAILABLE!

Quick-detachable Standard Flat Spray Nozzles

INVV series

See p.21 of this catalog.